

OPUS SERIES

Lavatory Oval Sink

Model CH-1800 Undermount

CHT-1800 Topmount



CH-1800

FEATURES

- Premium grade T-304 stainless steel
- 6" depth • 18 gauge
- StoneGuard™ undercoating
- SpecPlus™ edge
- Lustrous satin with highlighted rim
- Fits 24" sink base
- 1-1/2" drain opening
- Supplied with cutout template, fasteners and instructions
- Complies with ASME A112.19.3-2000, cUPC®
- Lifetime Limited Warranty

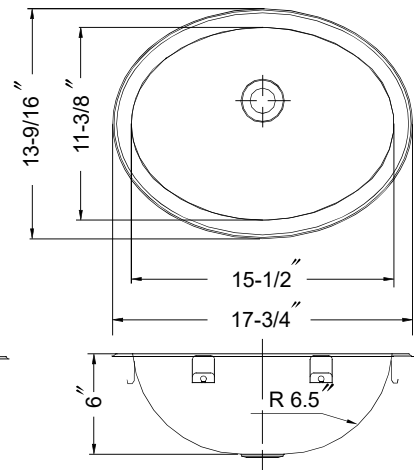
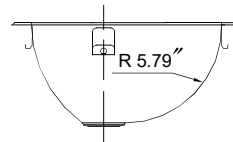


TYPE 304
PREMIUM STAINLESS STEEL

SpecPlus™
EDGE
The Strongest Steel You Can Buy

StoneGuard™
UNDERCOAT PROTECTION

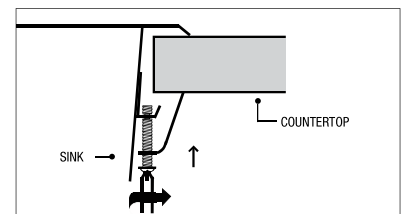
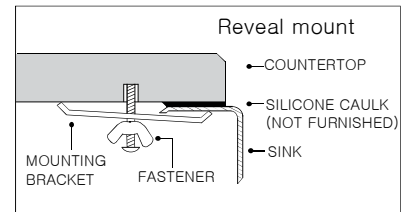
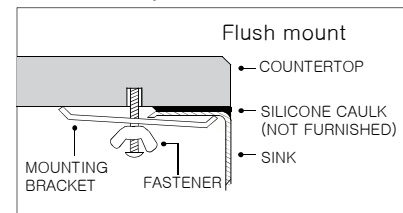
Lifetime
Warranty



OPTIONAL ACCESSORIES

Grid Drain : FD-10

Installation profile



OVERALL DIMENSIONS	EACH BOWL	CUTOUT SIZE	PACKAGING*	WEIGHT*
17-3/4" x 13-9/16"	15-1/2" x 11-3/8"	See Template	1/32/40 pcs.	7/260/260 lbs.

*Standard packaging: Single boxed /Pallet of single boxed/Pallet of bulk pack.
All dimensions are in inches. Specifications subject to change without notice.

Project/Job name _____

Architect/Engineer _____

Contractor _____

Model _____ Q'ty _____

Notes _____